

Technical Information

- CV** Check Valves
- SH** Shuttle Valves
- LM** Load/Motor Controls
- FC** Flow Controls
- PC** Pressure Controls
- LE** Logic Elements
- DC** Directional Controls
- MV** Manual Valves
- SV** Solenoid Valves
- PV** Proportional Valves
- CE** Coils & Electronics
- BC** Bodies & Cavities
- TD** Technical Data

General Description

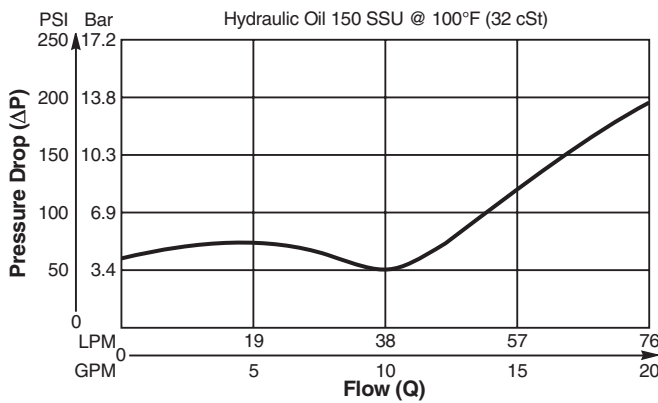
Poppet Type, Bi-Directional, Normally Closed, Pilot to Close Logic Element. For additional information see Technical Tips on pages LE1-LE6.

Features

- Hardened, precision ground parts for durability
- Polyurethane seals only
- No backup rings
- Low leakage design
- All external parts zinc plated

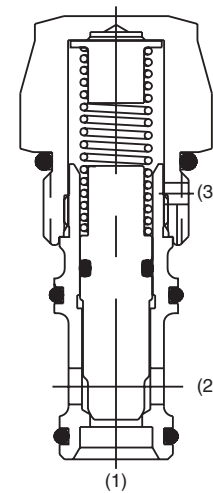
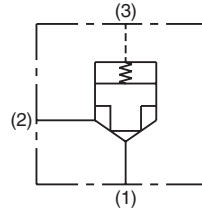
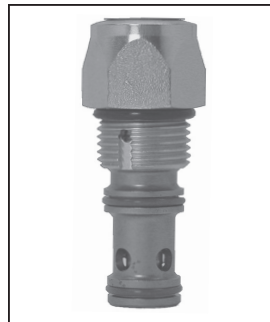
Performance Curve

Pressure Drop vs. Flow (Through cartridge only)

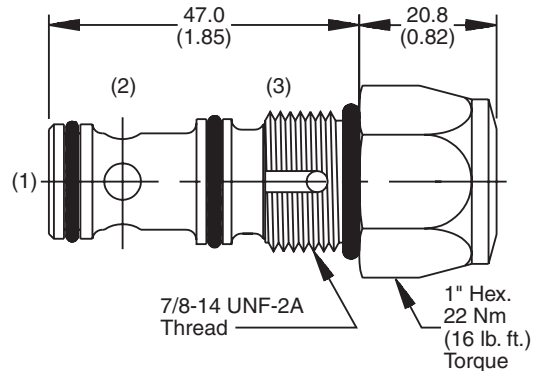


Specifications

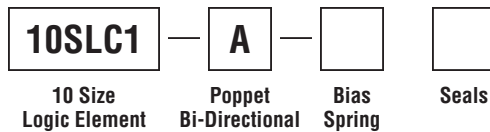
Rated Flow	57 LPM (15 GPM)
Maximum Inlet Pressure	240 Bar (3500 PSI)
Leakage @ 150 SSU (32 cst)	Port 1 to 2 5 drops/min. (.33 cc/min.) @ 240 Bar (3500 PSI)
Cartridge Material	All parts steel. All operating parts hardened steel.
Operating Temp. Range/Seals	-37°C to +107°C (Polyurethane, EPS) (-35°F to +225°F) -26°C to +204°C (Fluorocarbon) (-15°F to +400°F)
Fluid Compatibility/ Viscosity	Mineral-based or synthetic with lubricating properties at viscosities of 45 to 2000 SSU (6 to 420 cSt)
Filtration	ISO-4406 18/16/13, SAE Class 4
Approx. Weight	.14 kg (.30 lbs.)
Cavity	C10-3S (See BC Section for more details)
Form Tool	Rougher NFT10-3SR Finisher NFT10-3SF



Dimensions Millimeters (Inches)



Ordering Information



Code	Bias Spring
25	1.7 Bar (25 PSI)
50	3.5 Bar (50 PSI)
75	5.2 Bar (75 PSI)
100	6.9 Bar (100 PSI)
150	10.3 Bar (150 PSI)

Code	Seals / Kit. No.
Omit	Polyurethane, EPS (Std.)/ (WRK-10-3S)
V	Fluorocarbon / (WRK-10-3S-W)