

**Technical Information**

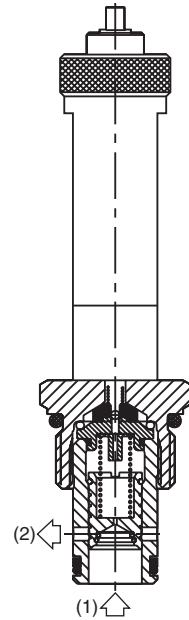
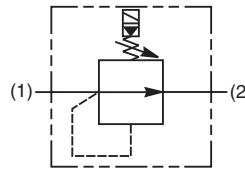
- CV** Check Valves
- SH** Shuttle Valves
- LM** Load/Motor Controls
- FC** Flow Controls
- PC** Pressure Controls
- LE** Logic Elements
- DC** Directional Controls
- MV** Manual Valves
- SV** Solenoid Valves
- PV** Proportional Valves
- CE** Coils & Electronics
- BC** Bodies & Cavities
- TD** Technical Data

**General Description**

Solenoid Operated Unloading Relief Valve. For additional information see Technical Tips on page PC4.

**Features**

- Two functions in one valve, unloading and relieving
- Factory set relief pressure or adjustable option
- Integral 250 micron pilot flow filter
- Coil: Waterproof, hermetically sealed, requires no O'Rings; Symmetrical coil can be reversed without affecting performance.
- Valve is normally open

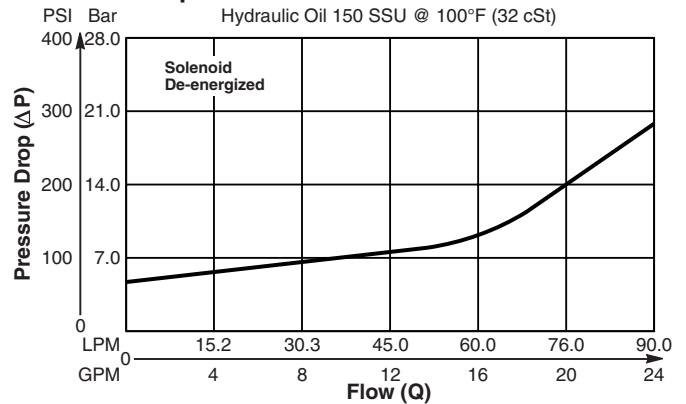


**Specifications**

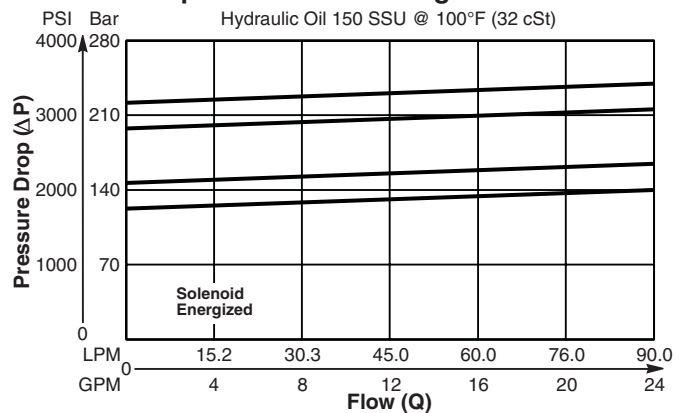
<b>Rated Flow (At 70 PSI ΔP)</b>	60 LPM (16 GPM)
<b>Max. Pressure</b>	6.9 - 276 Bar (100 - 4000 PSI)
<b>Reseat Pressure 200 Hz PWM</b>	90% of Cracking Pressure
<b>Max. Tank Pressure</b>	70 Bar (1000 PSI)
<b>Cartridge Material</b>	All parts steel. All operating parts hardened steel.
<b>Operating Temp. Range/Seals</b>	-34°C to +121°C (Nitrile) (-30°F to +250°F) -26°C to +204°C (Fluorocarbon) (-15°F to +400°F)
<b>Fluid Compatibility/ Viscosity</b>	Mineral-based or synthetic with lubricating properties at viscosities of 45 to 2000 SSU (6 to 420 cSt)
<b>Filtration</b>	ISO-4406 18/16/13, SAE Class 4
<b>Approx. Weight</b>	.45 kg (.98 lbs.)
<b>Cavity</b>	C10-2 (See BC Section for more details)

**Performance Curves**

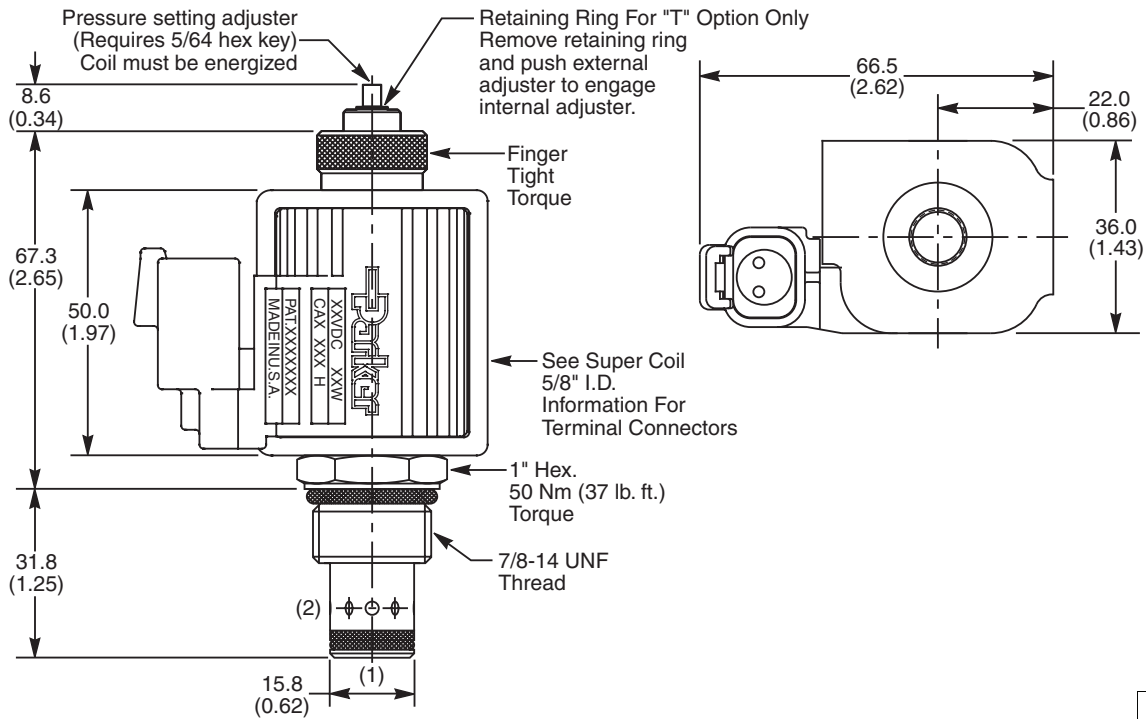
**Pressure Drop vs. Flow**



**Pressure Drop vs. Flow - Relieving Performance**



**Dimensions** Millimeters (Inches)



**Ordering Information**

**AS04G2**                                   

10 Size Proportional Relief Valve    Adjustment Option    Relief Setting    Seals    Coil Type    Coil Voltage    Coil Termination    Body Material    Port Size

Code	Adjustment Options
T	Tamper Proof
Z	Push and Turn*

\* Allows for fine tuning of pressure setting.

Code	Seals / Kit. No.
N	Nitrile / Buna-N (Std.) (SK30503N-1)
V	Fluorocarbon / (SK30503V-1)

Code	Coil Voltage
Omit	Without Coil
D012	12 VDC
D024	24 VDC
A120	120 VAC, 60/50 Hz

Code	Body Material
Omit	Steel
A	Aluminum

Code	Relief Setting
Omit	124 Bar (1800 PSI) Standard
14	140 Bar (2000 PSI)
20	200 Bar (2900 PSI)
22	220 Bar (3200 PSI)
27	276 Bar (4000 PSI)

Code	Coil Type
Omit	Without Coil
SP	Super Coil - 28 Watts

Code	Coil Termination
Omit	Without Coil
A	Amp Jr. Timer*
D	DIN Plug Face
H	Molded Deutsch*
L	Dual Lead Wire*
PF	Packard Female*
PM	Packard Male*
S	Dual Spade*

Code	Port Size	Body Part No.
Omit	Cartridge Only	
6T	SAE-6	(B10-2-*6T)
8T	SAE-8	(B10-2-*8T)

\* Add "A" for aluminum, omit for steel.

See Super Coil 5/8" I.D.  
 \*DC Only

- CV Check Valves
- SH Shuttle Valves
- LM Load/Motor Controls
- FC Flow Controls
- PC Pressure Controls
- LE Logic Elements
- DC Directional Controls
- MV Manual Valves
- SV Solenoid Valves
- PV Proportional Valves
- CE Coils & Electronics
- BC Bodies & Cavities
- TD Technical Data