

**Technical Information**

- CV** Check Valves
- SH** Shuttle Valves
- LM** Load/Motor Controls
- FC** Flow Controls
- PC** Pressure Controls
- LE** Logic Elements
- DC** Directional Controls
- MV** Manual Valves
- SV** Solenoid Valves
- PV** Proportional Valves
- CE** Coils & Electronics
- BC** Bodies & Cavities
- TD** Technical Data

**General Description**

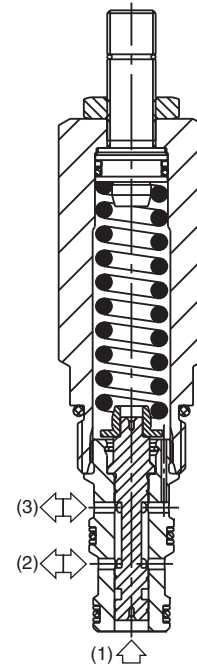
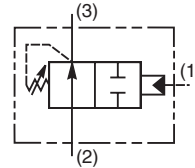
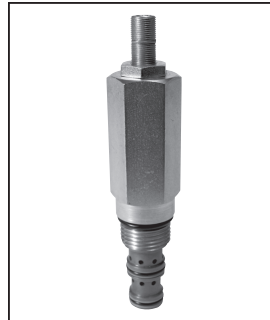
Direct Acting, Normally Open Sequence Valve with External Pilot and Internal Drain. For additional information see Technical Tips on pages PC1-PC6.

**Features**

- Sealed pilot option available
- Hardened working parts for maximum durability
- All external parts zinc plated
- Adjustable and tamperproof versions available

**Specifications**

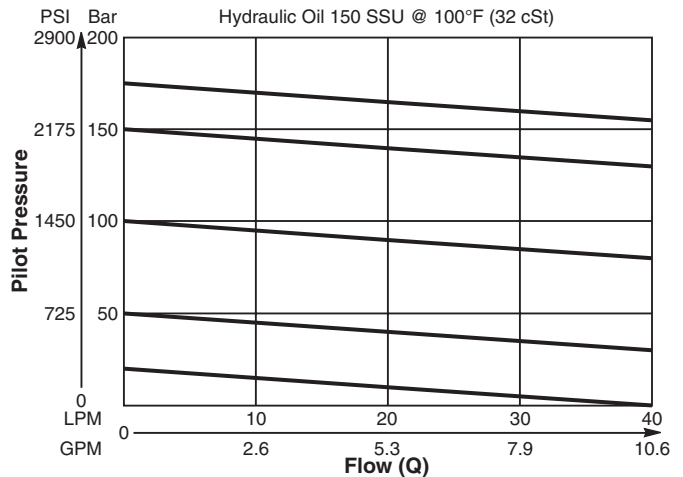
<b>Rated Flow</b>	40 LPM (10.6 GPM)
<b>Maximum Inlet Pressure</b>	420 Bar (6000 PSI)
<b>Maximum Pressure Setting</b>	<b>E</b> - 2-80 Bar (30-1160 PSI) <b>G</b> - 2-166 Bar (30-2400 PSI) <b>J</b> - 40-240 Bar (580-3500 PSI)
<b>Sensitivity: Pressure/Turn</b>	<b>E</b> 8.7 Bar (125 PSI) <b>G</b> 17 Bar (248 PSI) <b>J</b> 28 Bar (406 PSI)
<b>Maximum Tank Pressure</b>	420 Bar (6000 PSI)
<b>Leakage at 150 SSU (32 cSt)</b>	25 ml/min. @ 100 Bar (1450 PSI)
<b>Cartridge Material</b>	All parts steel. All operating parts hardened steel.
<b>Operating Temp. Range/Seals</b>	-34°C to +121°C (Nitrile) (-30°F to +250°F) -26°C to +204°C (Fluorocarbon) (-15°F to +400°F)
<b>Fluid Compatibility/Viscosity</b>	Mineral-based or synthetic with lubricating properties at viscosities of 45 to 2000 SSU (6 to 420 cSt)
<b>Filtration</b>	ISO-4406 18/16/13, SAE Class 4
<b>Approx. Weight</b>	0.30 kg (0.66 lbs.)
<b>Cavity</b>	C10-3 (See BC Section for more details)
<b>Form Tool</b>	Rougher NFT10-3R Finisher NFT10-3F



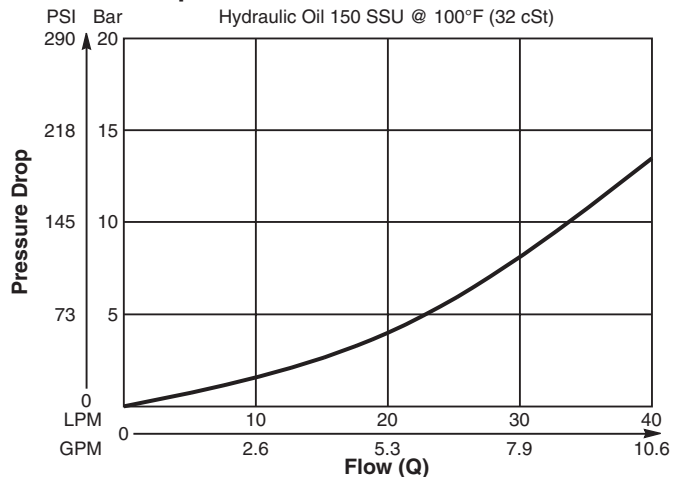
**Performance Curves**

(Pressure rise through cartridge only)

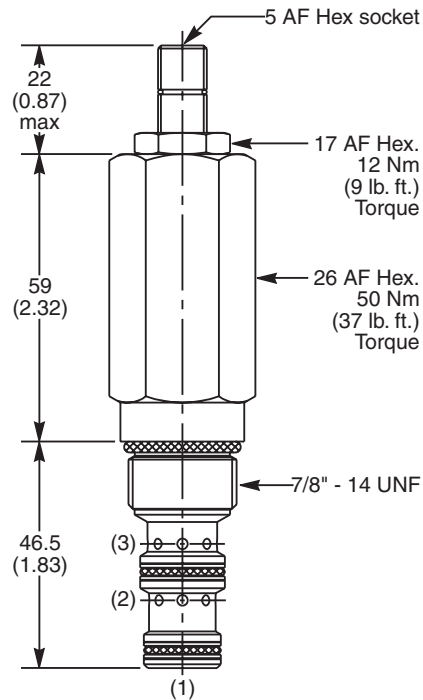
**Flow vs. Inlet Pressure 2 to 3**



**Pressure Drop vs. Flow 2 to 3**



**Dimensions** Millimeters (Inches)



**Ordering Information**

<b>B04G3</b>								
<b>10 Size D.A. Sequence Valve (External Pilot &amp; Internal Drain)</b>	<b>Pilot Pressure Adjustment Range</b>	<b>Adjustment Style</b>	<b>Optional Flow @ Pressure Setting</b>	<b>Pilot Switching Pressure</b>	<b>Seals</b>	<b>Sealed Pilot</b>	<b>Body Material</b>	<b>Port Size</b>

Code	Pilot Pressure Adjustment Range
E	2 - 80 Bar (30 - 1160 PSI)
G	2 - 166 Bar (30 - 2400 PSI)
J	40 - 240 Bar (580 - 3500 PSI)

Code	Adjustment Style / Kit No.
Z	Screw Adjust (Std.)
W	Knob Adjust
T	Tamper Resistant Cap (TC1130)

Optional Flow @ Pressure Setting
If you require a maximum pressure setting at a flow rate, please enter it here in Liters per minute (LPM). Standard setting: 5 LPM (1.3 GPM)

Code	Pilot Switching Pressure
Omit	Omit for no setting (Std.)
B04G3E	Standard Setting: 40 Bar (580 PSI) @ 5 LPM (1.3 GPM)
B04G3G	Standard Setting: 80 Bar (1160 PSI) @ 5 LPM (1.3 GPM)
B04G3J	Standard Setting: 120 Bar (1750 PSI) @ 5 LPM (1.3 GPM)
	Specify setting if required

Code	Seals / Kit No.
N	Nitrile, Buna-N (Std.) / (SK30505N-1)
V	Fluorocarbon / (SK30505V-1)

Code	Sealed Pilot
Omit	Omit if not required
S	Sealed Pilot

Code	Body Material
Omit	Steel
A	Aluminum

Code	Port Size	Body Part No.
Omit	Cartridge Only	
6T	SAE-6	(B10-3-*6T)
8T	SAE-8	(B10-3-*8T)

\* Add "A" for aluminum, omit for steel.